

MN

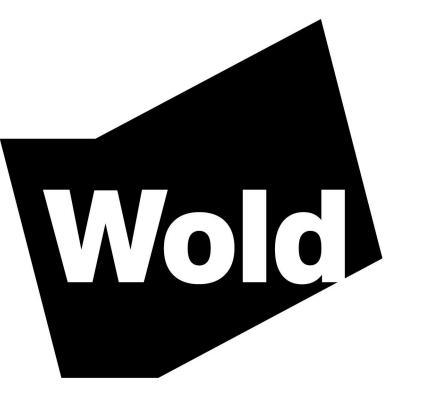


VETERAN'S MEMORIAL

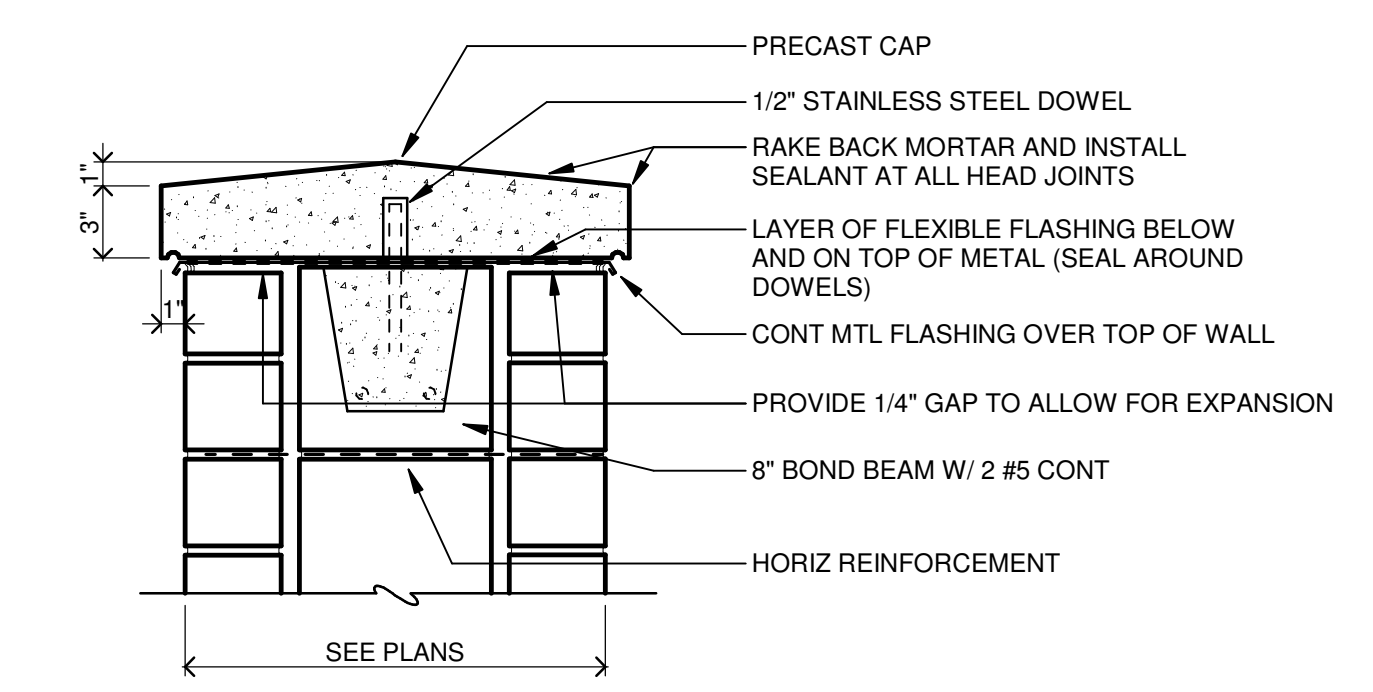
218 3rd Street NW
Faribault, MN 55021

999999

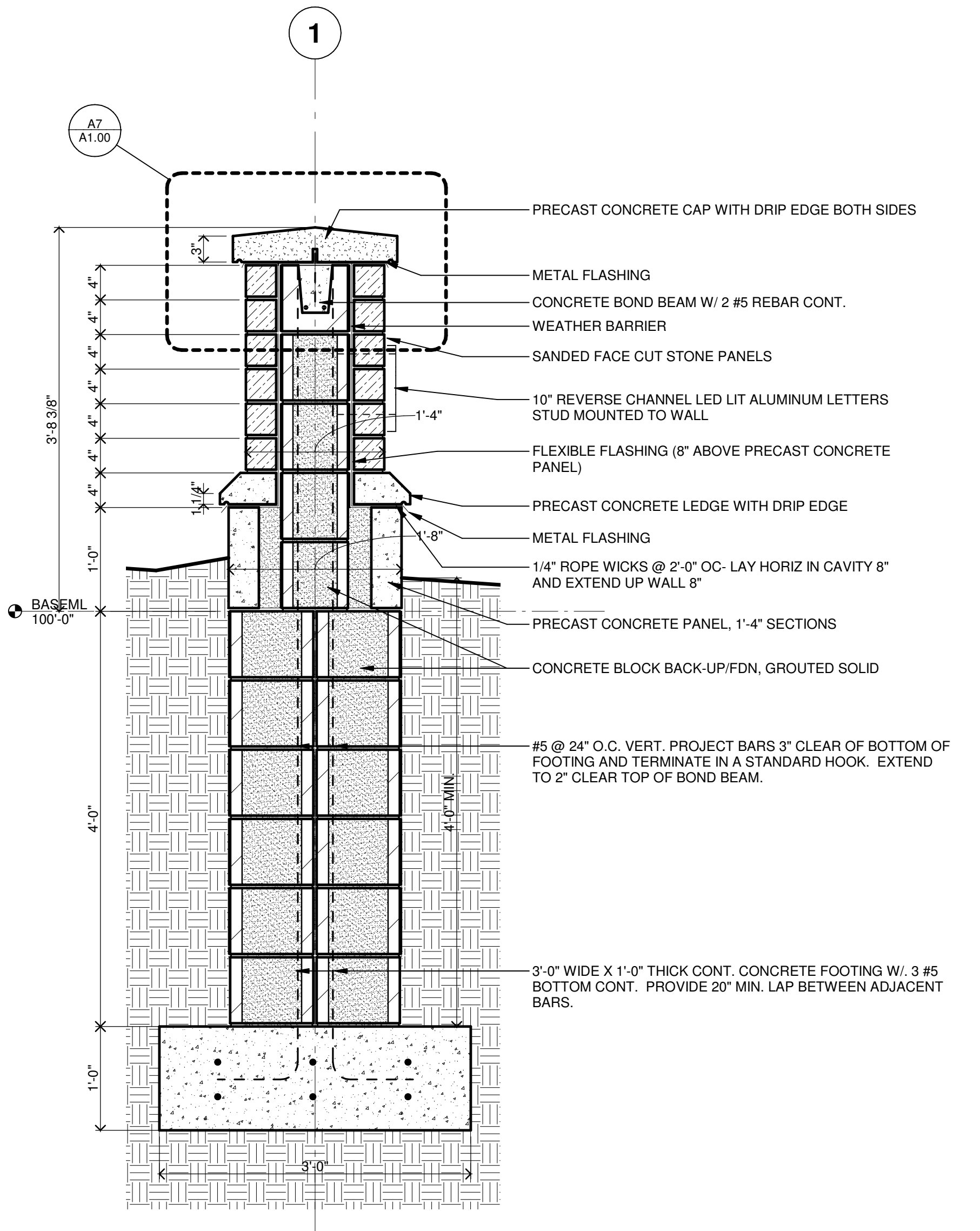
RICE COUNTY
218 3rd Street NW
Faribault, MN 55021



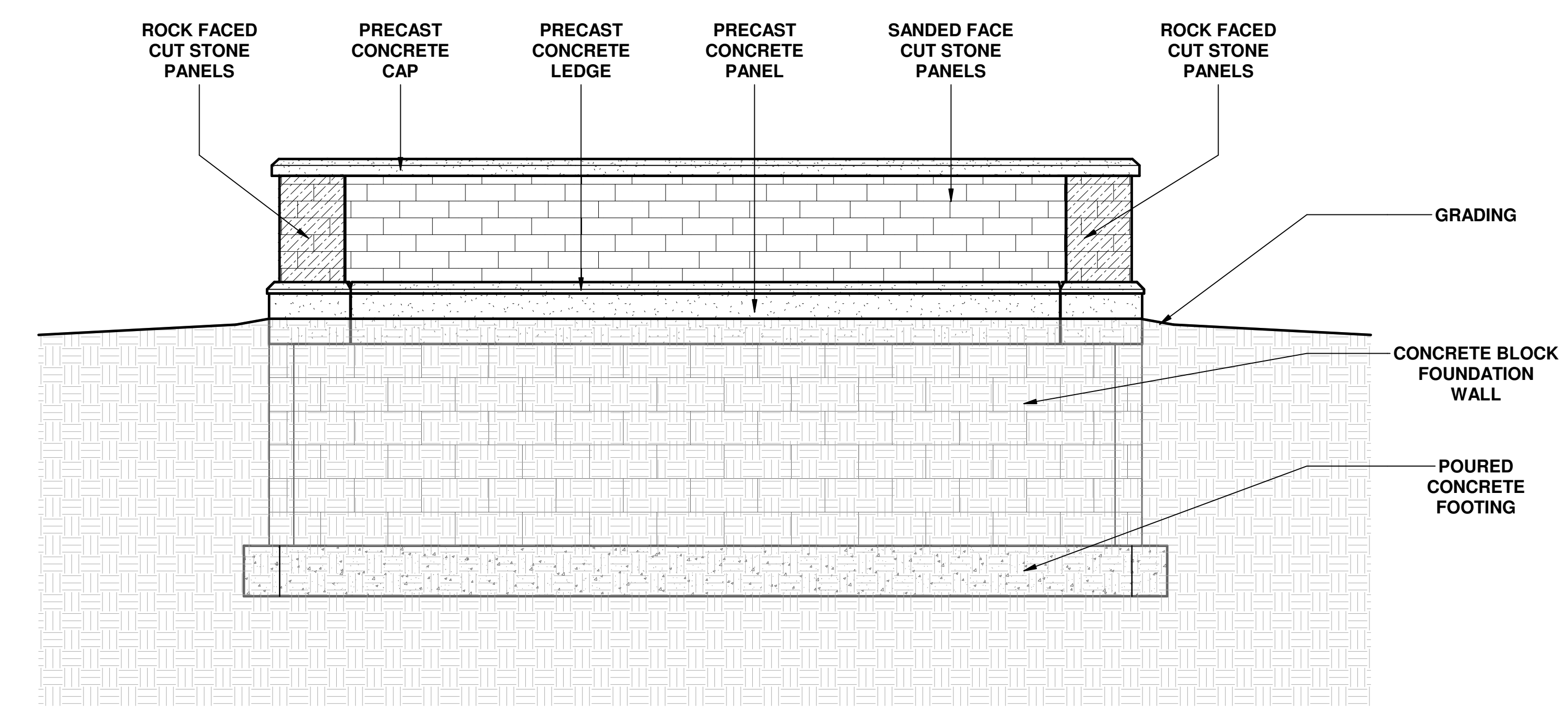
WOLD ARCHITECTS
AND ENGINEERS
332 Minnesota Street, Suite W2000
Saint Paul, MN 55101
woldac.com | 651 227 7773



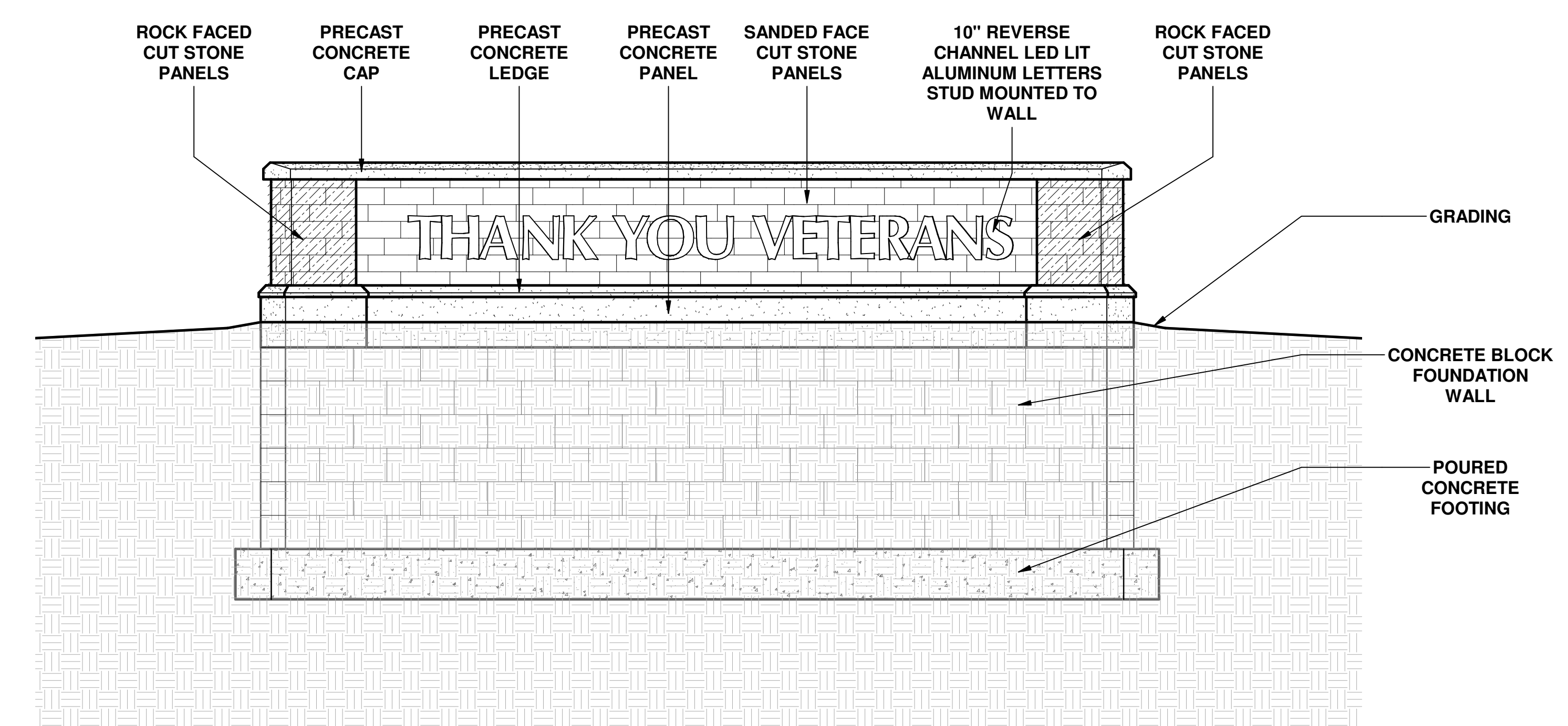
A7 SECTION AT CAP
1 1/2" = 1'-0"



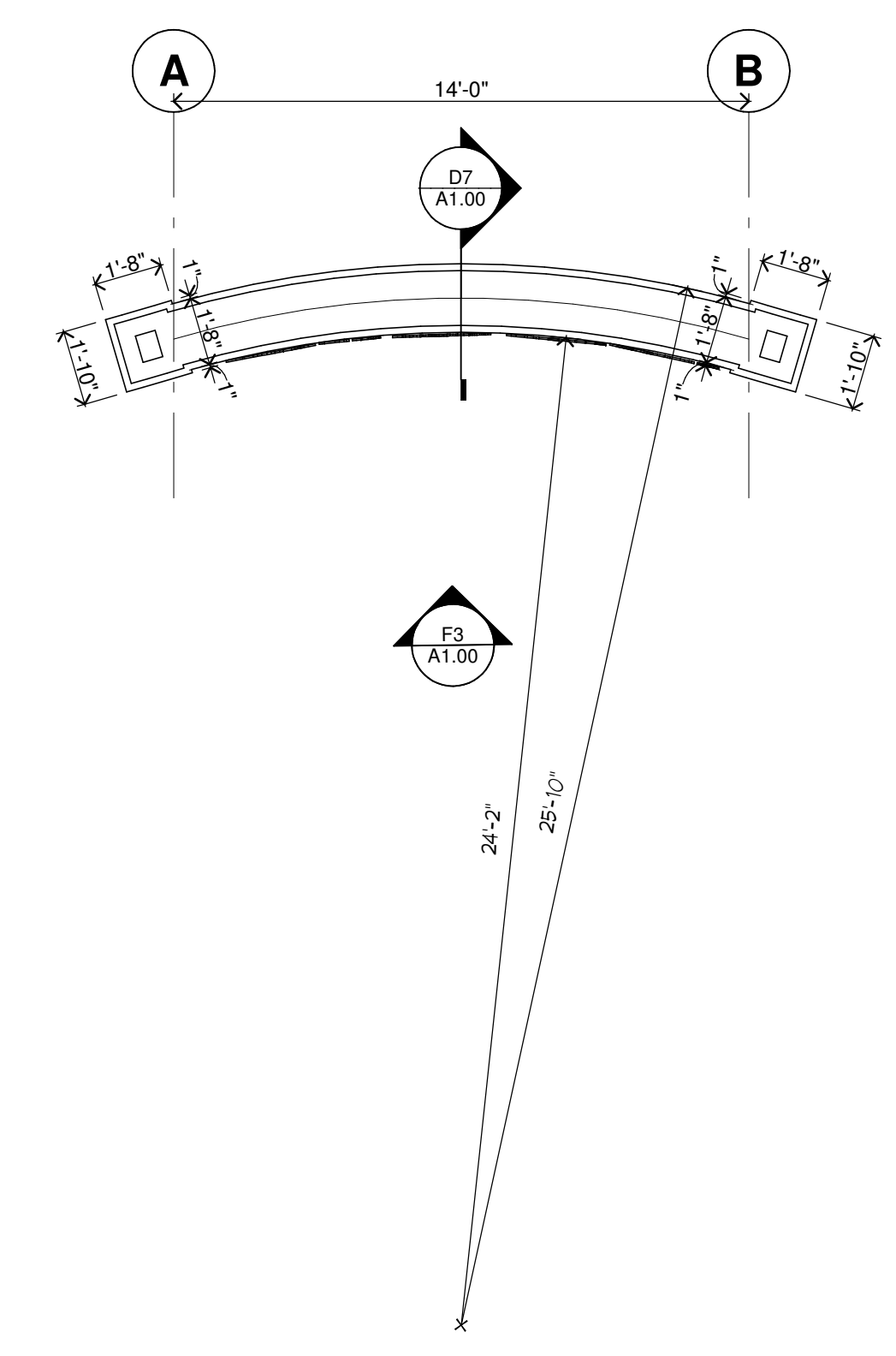
D7 SECTION
1" = 1'-0"



D3 SOUTH ELEVATION
1 1/2" = 1'-0"



F3 NORTH ELEVATION
1 1/2" = 1'-0"



F7 PLAN
1 1/4" = 1'-0"

I hereby certify that this plan, specification or report was prepared by me or under my direct supervision and that I am a duly Licensed ARCHITECT under the laws of the State of Reg State

License Number	Arch Name	Date	Issue Date

Description	Revisions	
	Date	Num

Comm: Project Number
Date: Issue Date
Drawn: Author
Check: Checker
North

MAIN LEVEL FLOOR PLAN

Scale: As indicated

A1.00