

The Drawings, Specifications and other documents prepared by the Architect for this project are instruments of the Architect's service for use solely with respect to this project and the Architect shall be deemed the author of any and all other documents prepared by the Architect for this project. The owner shall be permitted to retain copies, including reproducible copies, of the Architect's drawings, Specifications or other documents shall not be used by the Owner or others on other projects, for additions to this Project or for completion of this Project by others, unless the Architect agrees in writing and with appropriate compensation to the Architect.

Submission or distribution of documents to meet official regulatory requirements or for similar purposes in connection with the Project is not to be construed as publication in derogation of the Architect's reserved rights.

These drawings may not be reproduced by any means without the express written consent of the architect.

EACH CONTRACTOR SHALL THOROUGHLY EXAMINE AND BECOME FAMILIAR WITH ALL CONTRACT DOCUMENTS FOR THE PROJECT AND NOT LIMIT THEIR WORK TO DRAWINGS REFERENCED FOR INDIVIDUAL TRADES.

© Copyright 2011
BUSINESS PROPRIETARY INFORMATION

Township of Toms River

NEW ANIMAL SHELTER

255 Oak Avenue
Toms River, NJ 08753

The Musial Group architecture

191 Mill Lane
Mountainside, NJ 07092
t. 908.232.2860
f. 908.232.2845
e. tmg@tmusialg.com

12-23-2011

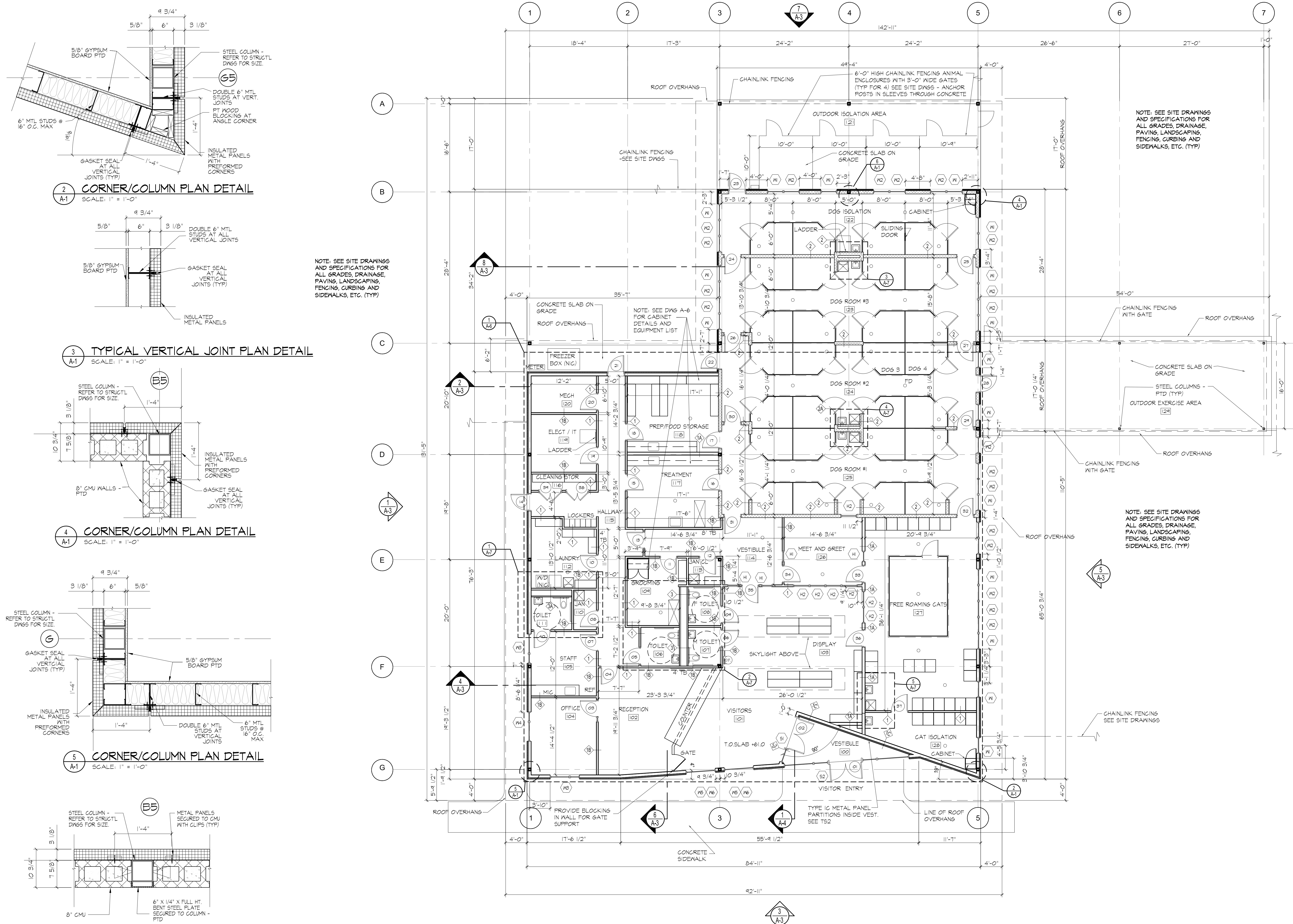
| Revision Number | Revision Description | Revision Date |
|-----------------|----------------------|---------------|
| | | |

SCALE: 1/8" = 1'-0"
Drawn by JS
Checked by NSM

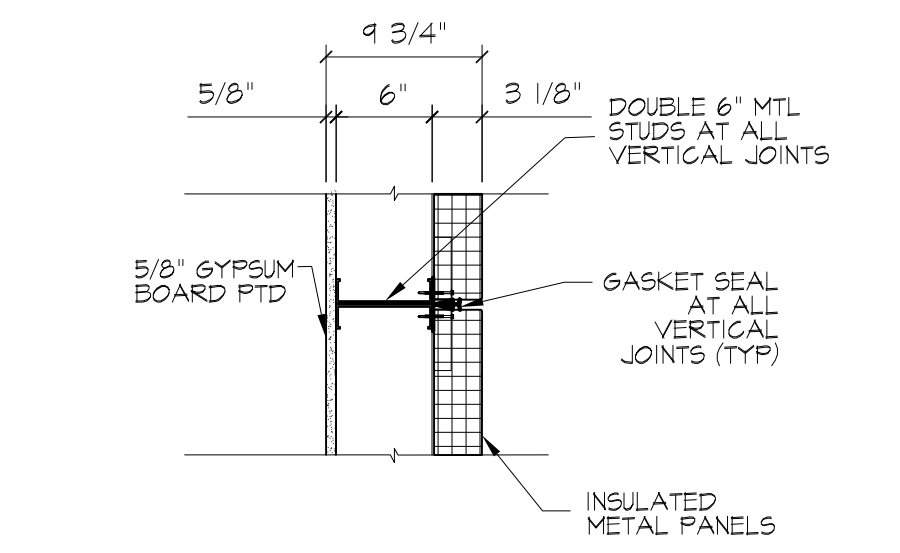
103010

FLOOR PLAN AND DETAILS

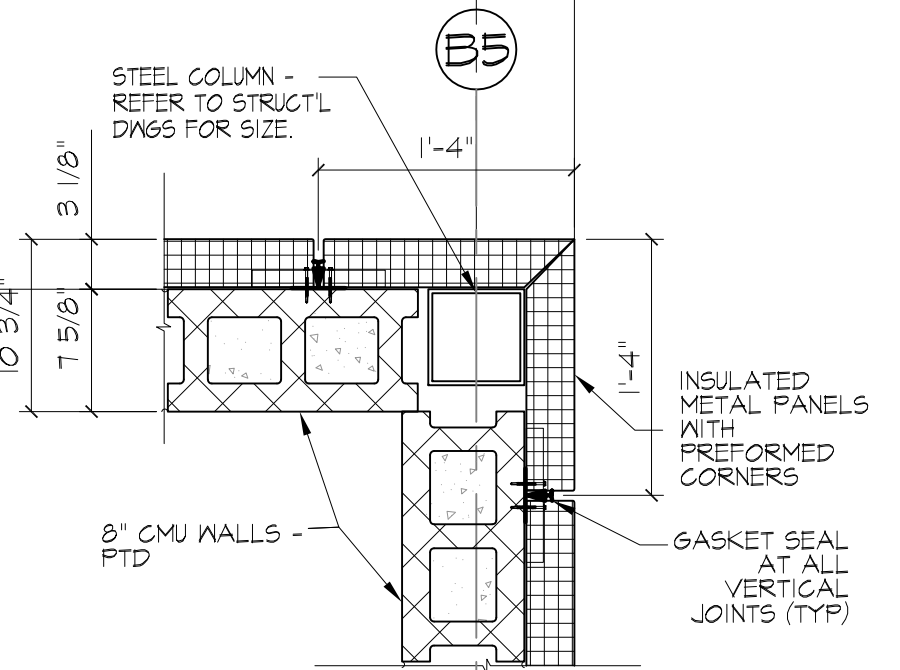
A-1



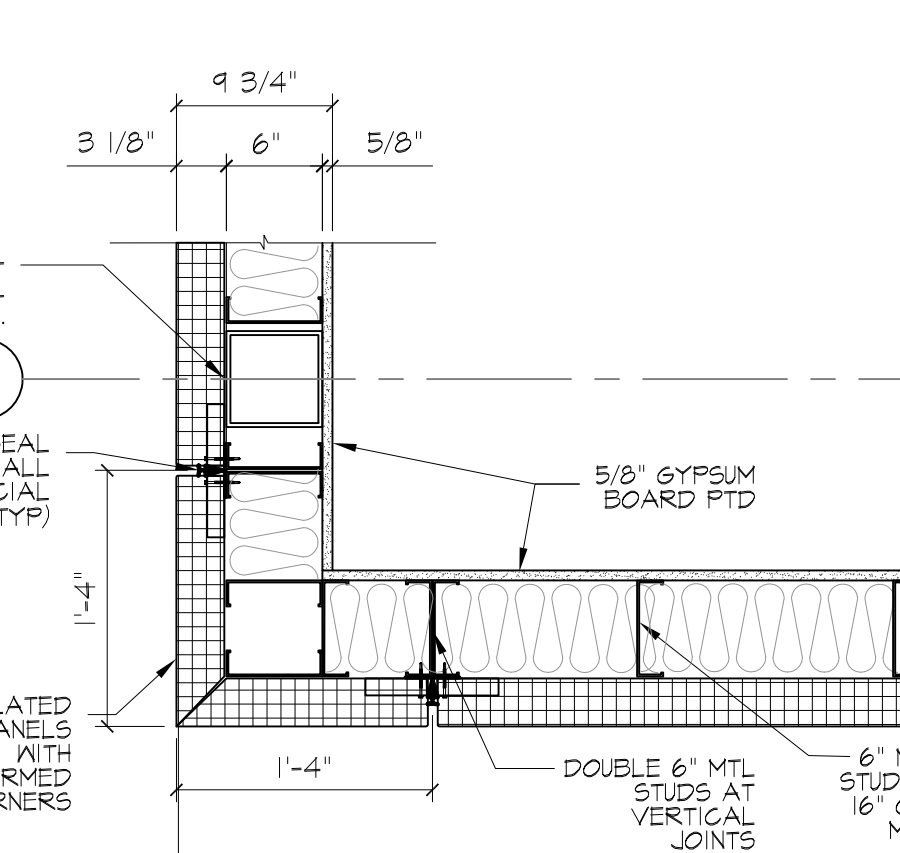
2 CORNER/COLUMN PLAN DETAIL
SCALE: 1" = 1'-0"



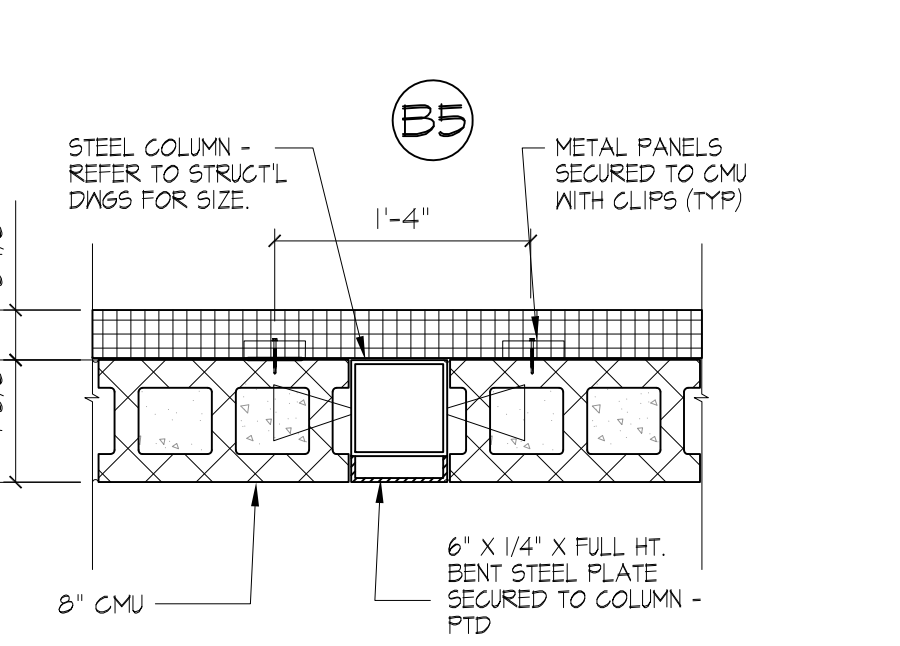
3 TYPICAL VERTICAL JOINT PLAN DETAIL
SCALE: 1" = 1'-0"



4 CORNER/COLUMN PLAN DETAIL
SCALE: 1" = 1'-0"



5 CORNER/COLUMN PLAN DETAIL
SCALE: 1" = 1'-0"



6 COLUMN PLAN DETAIL
SCALE: 1" = 1'-0"



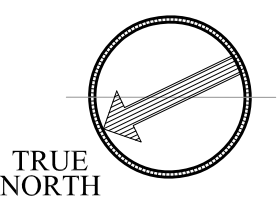
NOTE: SEE SITE DRAWINGS AND SPECIFICATIONS FOR ALL GRADES, DRAINAGE, PAVING, LANDSCAPING, FENCING, CURBING AND SIDEWALKS, ETC. (TYP)

NOTE: SEE SITE DRAWINGS AND SPECIFICATIONS FOR ALL GRADES, DRAINAGE, PAVING, LANDSCAPING, FENCING, CURBING AND SIDEWALKS, ETC. (TYP)

NOTE: SEE SITE DRAWINGS AND SPECIFICATIONS FOR ALL GRADES, DRAINAGE, PAVING, LANDSCAPING, FENCING, CURBING AND SIDEWALKS, ETC. (TYP)

NOTE: SEE SITE DRAWINGS AND SPECIFICATIONS FOR ALL GRADES, DRAINAGE, PAVING, LANDSCAPING, FENCING, CURBING AND SIDEWALKS, ETC. (TYP)

1 FLOOR PLAN
SCALE: 1/8" = 1'-0"



ORIGINAL
IF IT IS RED IT IS AN ORIGINAL